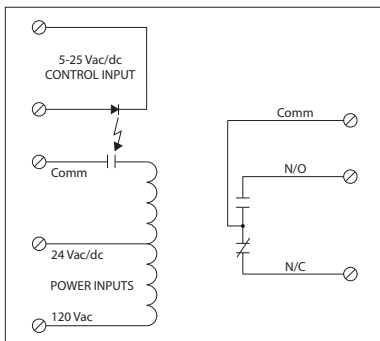


## LOW COIL INPUT TRACK MOUNT RELAYS

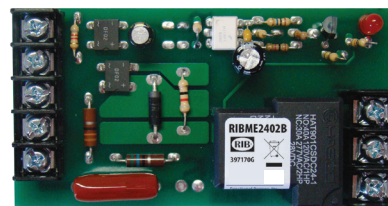
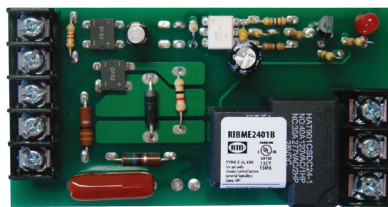
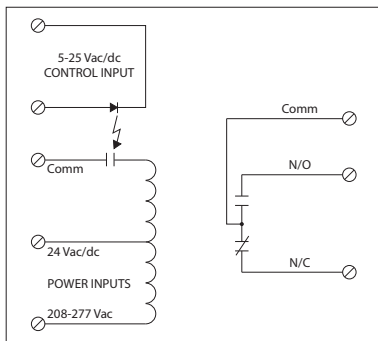
### RIBME2401B

4.00" Track Mount Relay 20 Amp SPDT,  
24 Vac/dc/**120 Vac Power Input** +  
5-25 Vac/dc Control Input



### RIBME2402B

4.00" Track Mount Relay 20 Amp SPDT,  
24 Vac/dc/**208-277 Vac Power Input** +  
5-25 Vac/dc Control Input



Made in USA  
Meets  
"Buy American"  
of ARRA 2009

RELAYS

## SPECIFICATIONS

**Power Input:** 24 Vac/dc/120 Vac, 50-60 Hz (RIBME2401B)  
24 Vac/dc/208-277 Vac, 50-60 Hz (RIBME2402B)

**Control Input:** 5-25 Vac/dc, 50-60 Hz

**# Relays & Contact Type:** One (1) SPDT Continuous Duty Coil

**Expected Relay Life:** 10 million cycles minimum mechanical

**Operating Temperature:** -30 to 140° F

**Humidity Range:** 5 to 95% (noncondensing)

**Operate Time:** 18ms

**Relay Status:** LED On = Activated

**Dimensions:** 2.050" x 4.000" x 1.750"

**Track Mount:** 4.000"; See MT4 Series on page 152

**MT4 Mounting Track Sold Separately**

**Approvals:** UL Listed, UL916, UL864, C-UL  
California State Fire Marshal

**Gold Flash:** No

**Override Switch:** No

### Contact Ratings:

20 Amp Resistive @ 277 Vac  
1110 VA Pilot Duty @ 277 Vac  
770 VA Pilot Duty @ 120 Vac  
20 Amp Ballast @ 277 Vac  
16 Amp Electronic Ballast @ 277 Vac (N/O)  
10 Amp Tungsten @ 120 Vac (N/O)  
240 Watt Tungsten @ 120 Vac (N/C)  
2 HP @ 277 Vac  
1 HP @ 120 Vac

### Power Input Ratings:

50 mA @ 18 Vac  
83 mA @ 24 Vac  
47 mA @ 120 Vac (RIBME2401B)  
69 mA @ 208-277 Vac (RIBME2402B)

33 mA @ 22 Vdc  
35 mA @ 24 Vdc  
47 mA @ 30 Vdc

### Control Input Ratings:

.4 mA @ 5 Vdc  
.9 mA @ 10 Vdc  
1 mA @ 12 Vdc  
2 mA @ 24 Vdc  
3 mA @ 24 Vac  
(Non Polarized)